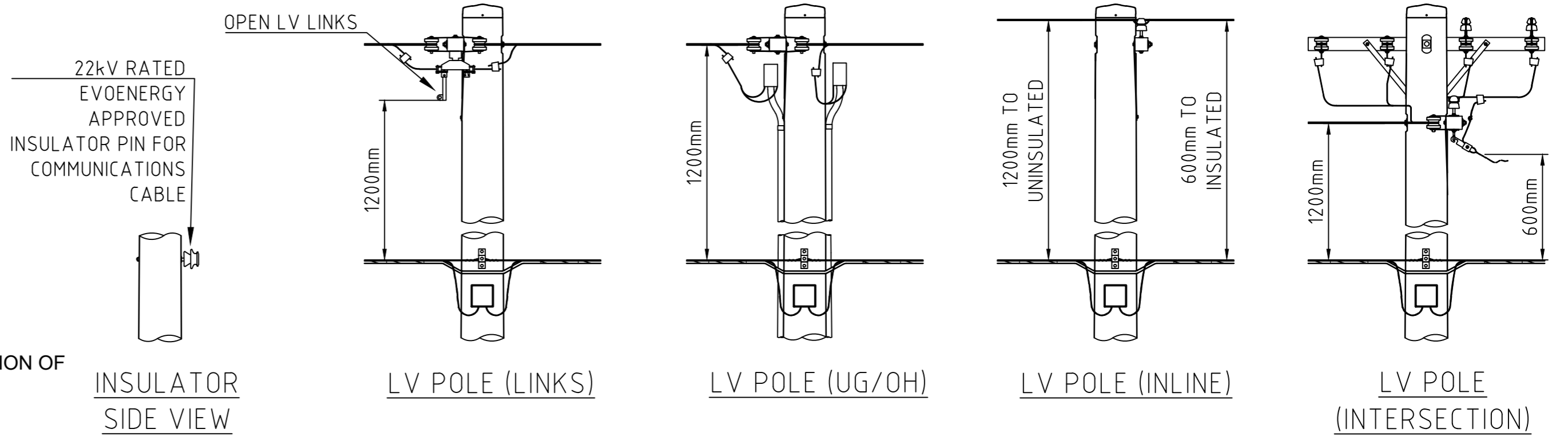


**TABLE 1 - MINIMUM CLEARANCE BETWEEN TELECOMMUNICATION CARRIERS NETWORK AND ELECTRICITY DISTRIBUTION NETWORK CONDUCTORS FITTINGS OR EQUIPMENT ON POLE AND IN SPAN**

	ON POLE	IN SPAN
AIR BREAK SWITCH WITH BARE 11kV AERIAL CONDUCTORS	3000mm	1800mm
BARE OR COVERED 11kV AERIAL CONDUCTORS EQUIPMENT OR FITTINGS INCLUDING COVERED DROP LEADS AND CCT	2200mm	1800mm
LV BARE AERIAL CONDUCTORS, EQUIPMENT OR FITTINGS INCLUDING MAINS, SERVICE LEADS.	1200mm	600mm
LV INSULATED AERIAL CONDUCTORS, EQUIPMENT OR FITTINGS INCLUDING MAINS.	600mm	600mm
INSULATED AERIAL SERVICE CABLES, EQUIPMENT OR FITTINGS	600mm	300mm

- NOTES:**
- ALL DIMENSIONS ARE IN MILLIMETRES AND DRAWING IS NOT TO SCALE.
  - POSITION OF TELECOMMUNICATIONS EQUIPMENT MUST NOT IMPEDE OPERATION OF EVOENERGY NETWORK ASSETS SUCH AS DROP OUTS, LINKS OR AIR BREAK SWITCHES.
  - CATENARY WIRES MUST BE INSULATED FROM ALL HV CONDUCTIVE POLES AND FROM HV NON CONDUCTIVE POLES WHERE A HV EARTH CONDUCTOR IS INSTALLED e.g. FOR SURGE ARRESTORS OR CABLE SCREENS etc.
  - CATENARY WIRES IN LOCATIONS LISTED IN NOTE 3 MUST BE INSULATED FROM POLES BY EVOENERGY APPROVED 22KV PIN INSULATORS.



No	Revision	Date	Checked	Approved
A	TRANSFORMER POLE DELETED, NOTES 4 & 5 ADDED	15/01/2008	A. Charlton	G. Astbury
B	TRANSACT REPLACED WITH TELECOMMUNICATION CARRIERS	23/01/2017	M. Hogan	W. Ibrahim
C	LOGO UPDATED	15/01/2018	W. Ibrahim	W. Ibrahim
D	DRAWING UPDATED IN LINE WITH P007218	18/11/2024	J. Primmer	N. Azizi

**evoenergy**

The information contained within this drawing & associated electronic file shall remain the property of Evoenergy and shall not be copied or used for any other purpose without express written permission from Evoenergy. © Evoenergy, 2021.

ACT Cadastral information supplied by the ACT Environment & Sustainable Development Directorate. © ACT Gov. 2021.

Drawn: G. Smith    Designed: D. Ramm  
 Checked: \_\_\_\_\_  
 Approved: D. Ramm  
 Project No: \_\_\_\_\_

**CLEARANCE REQUIREMENTS BETWEEN EVOENERGY INFRASTRUCTURE AND TELECOMMUNICATION CARRIERS**

Scale: NTS	Date: 4/12/2001	Sheet No:
Work Pack No:	File:	
Status:	<b>Current</b>	
<b>A2</b>	<b>390-018</b>	Rev <b>D</b>