

DETAIL A
HIGH VOLTAGE CABLE 2 OFF, PLUS
LOW VOLTAGE, SERVICE AND
STREET LIGHT CABLES

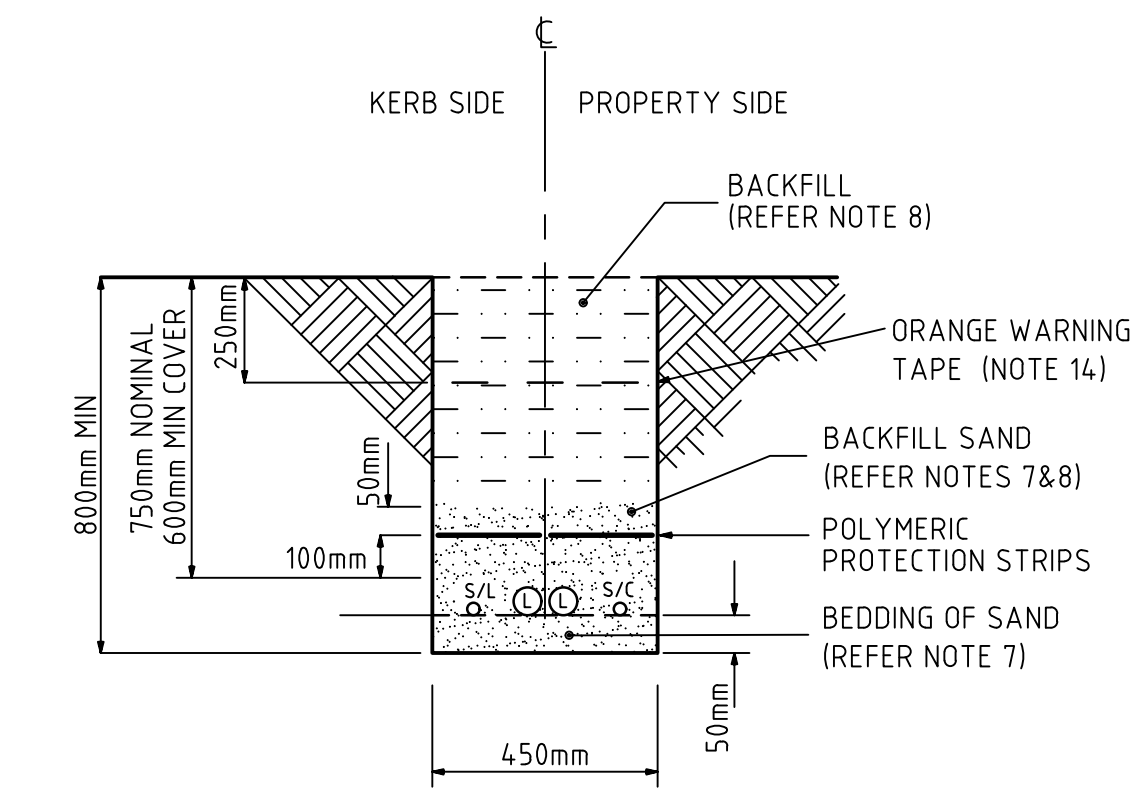
DETAIL B
HIGH VOLTAGE CABLE 1 OFF, PLUS
LOW VOLTAGE, SERVICE AND
STREET LIGHT CABLES

NOTES

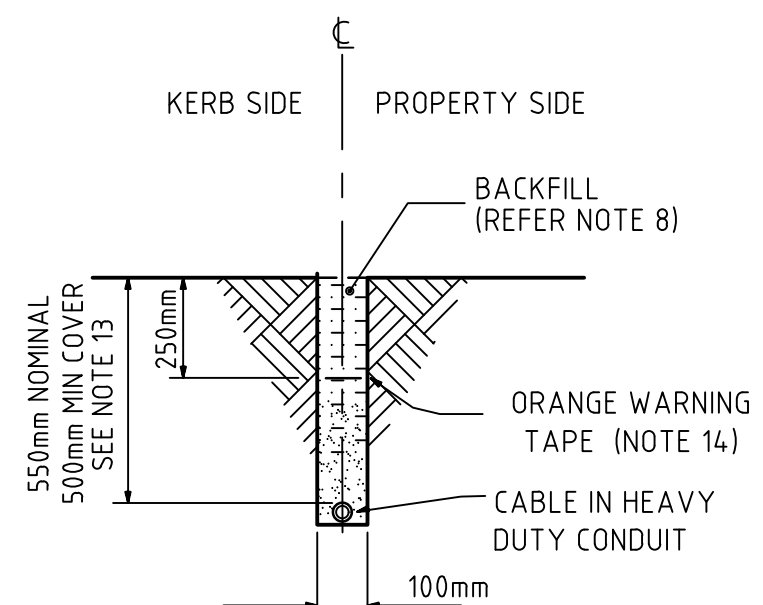
- THIS DRAWING IS TO BE APPLIED IN AREAS NOT COVERED BY A SHARED TRENCHING AGREEMENT AND FOR CABLES NOT CROSSING ROADS OR DRIVEWAYS.
- ALL CONDUITS TO BE INSTALLED IN ACCORDANCE WITH EVOENERGY CIVIL WORKS MANUAL VOLUME 2 - P00793
- STATUTORY CLEARANCES MUST BE OBTAINED FROM OTHER AUTHORITIES PLANT AND SERVICES. PRIOR TO ANY EXCAVATION WORK IN THE VICINITY OF EXISTING PLANT OR SERVICES CONSULT THE RELEVANT AUTHORITY.
- WHERE THE TRENCH ALIGNMENT CONFLICTS WITH TREES, THE PROJECT MANAGER MUST CONSULT WITH THE RELEVANT GOVERNMENT DEPT. TO EITHER CONFIRM THE ALIGNMENT OR NEGOTIATE AN ALTERNATIVE ALIGNMENT.
- CARE MUST BE TAKEN PRIOR TO AND DURING EXCAVATION TO IDENTIFY OTHER SERVICES. ALL WORKS BE CONDUCTED IN ACCORDANCE WITH THE EVOENERGY CIVIL WORKS MANUAL P00793 AND ITS REFERENCED DOCUMENTS AND PROCEDURES.
- CABLE SEPARATIONS MUST BE IN ACCORDANCE TO EVOENERGY DRAWING 3832-018, UNLESS OTHERWISE NOTED ON SPECIFIC PROJECT PLANS.
- BEDDING OF SAND TO BE MINIMUM OF 50mm DEPTH. TO BE INCREASED TO 80mm WHERE TRENCH BOTTOM HAS ROCK PROTRUDING. EVOENERGY APPROVED BEDDING SAND IN ACCORDANCE TO P007330 MUST BE INSTALLED.
- BEDDING SAND MUST BE INSTALLED FROM THE BOTTOM OF THE TRENCH TO 50mm ABOVE INSTALLED POLYMERIC PROTECTION STRIPS. REMAINING BACKFILL TO BE FINE CRUSHED ROCK (OR OTHER SUITABLE MATERIAL) AND COMPACTED IN ACCORDANCE WITH TCCS STANDARD SPECIFICATION FOR URBAN INFRASTRUCTURE WORKS.
- POLYMERIC PROTECTION STRIP SHOULD BE MINIMUM 3mm THICK AND OVERLAP THE CABLES BY AT LEAST 40mm ON EACH SIDE.
- REINSTATEMENT OF EXISTING SURFACE TO BE COMPLETED AS SOON AS POSSIBLE AFTER BACKFILL HAS BEEN COMPACTED.
- STREETLIGHT CABLES ARE INSTALLED IN CONDUIT IN ACCORDANCE WITH ASSET OWNER'S REQUIREMENTS.
- MINIMUM COVER REQUIREMENTS MAY BE REDUCED WHERE THE CONDITIONS OF AS3000 IN RELATION TO A "CATEGORY A" SYSTEM ARE OBSERVED (APPLIES TO DETAIL D ONLY)
- HV MINIMUM COVER MAY ONLY BE OBSERVED WHERE THE CABLE IS ENCLOSED IN HEAVY DUTY PIPE OR CONDUIT
- ORANGE WARNING TAPE MUST BE POSITIONED AT APPROXIMATELY 50% OF THE DEPTH OF COVER TO CABLES OR MECHANICAL PROTECTION AND COVER THE WIDTH OF THE TRENCH.
- MAXIMUM TRENCH DEPTH FOR THE INSTALLATION OF CABLES IS 1500mm
- BURIAL DEPTHS STATED ARE ONLY APPLICABLE FOR CABLES UP TO 22kV, REFERENCE 3832-018 FOR CABLES GREATER THAN 22kV

LEGEND

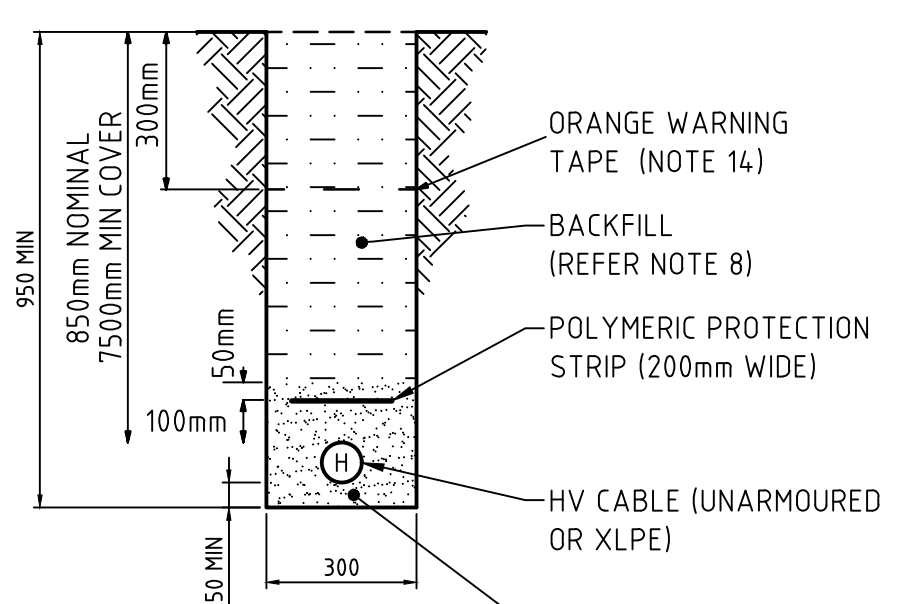
- | | | | | | |
|-------|-------------------|---|-------------------------|---|-----------------------------------------|
| s/l ○ | STREETLIGHT CABLE | ⊙ | LOW VOLTAGE MAINS CABLE | — | POLYMERIC PROTECTION STRIP (200mm WIDE) |
| s/c ○ | SERVICE CABLE | ⊕ | 11kV & 22kV MAINS CABLE | — | ORANGE WARNING TAPE (SOFT TAPE) |



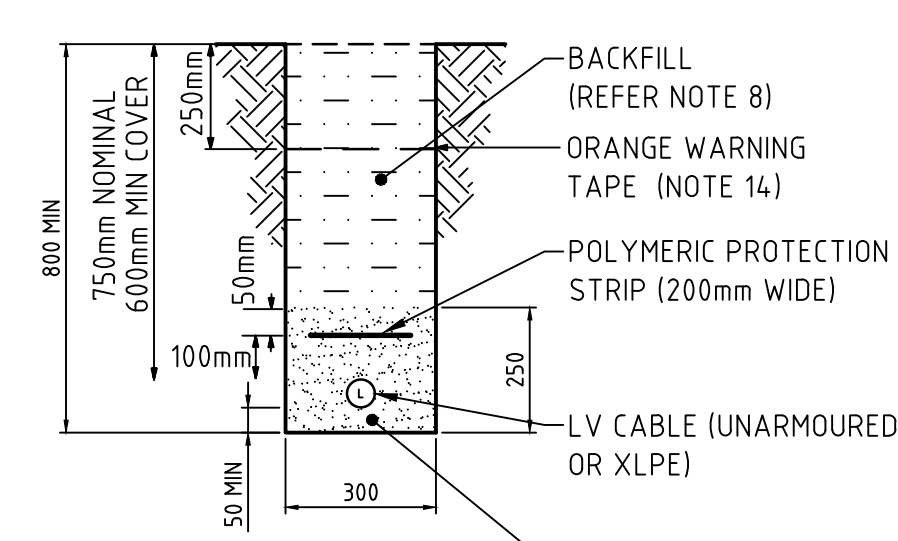
DETAIL C
LOW VOLTAGE CABLE 2 OFF, SERVICE
AND STREET LIGHT CABLE



DETAIL D
STREET LIGHT OR
SERVICE CABLE ONLY



DETAIL E
SINGLE HV CABLE
(UNARMoured OR XLPE)



DETAIL F
SINGLE LV CABLE
(UNARMoured OR XLPE)

G	LOGO & REFERENCES UPDATED	13/02/2018	C. Desai	W. Ibrahim
H	DRAWING REVIEWED AND UPDATED	19/04/2018	B. Suthar	W. Ibrahim
I	CONTENT REVIEWED	30/03/2020	N. Azizi	W. Cleland
J	DOCUMENT REFERENCE AMENDED IN NOTES 2,5 & 7 - KV	7/02/2022	N. Azizi	W. Cleland
No	Revision	Date	Checked	Approved

evoenergy

The information contained within this drawing & associated electronic file shall remain the property of Evoenergy and shall not be copied or used for any other purpose without express written permission from Evoenergy. © Evoenergy, 2018.

ACT Cadastral information supplied by the ACT Environment & Sustainable Development Directorate. © ACT Gov. 2018.

Drawn:	Designed: A-NNR
Checked:	
Approved: FRASER	
Project No:	

**CABLE TRENCH DETAILS
FOR CABLE INSTALLATIONS NOT COVERED
BY SHARED TRENCH AGREEMENT**

Scale:	Date:	Sheet No:
Work Pack No:	File:	
Status:	Current	
A2	393-007	Rev J