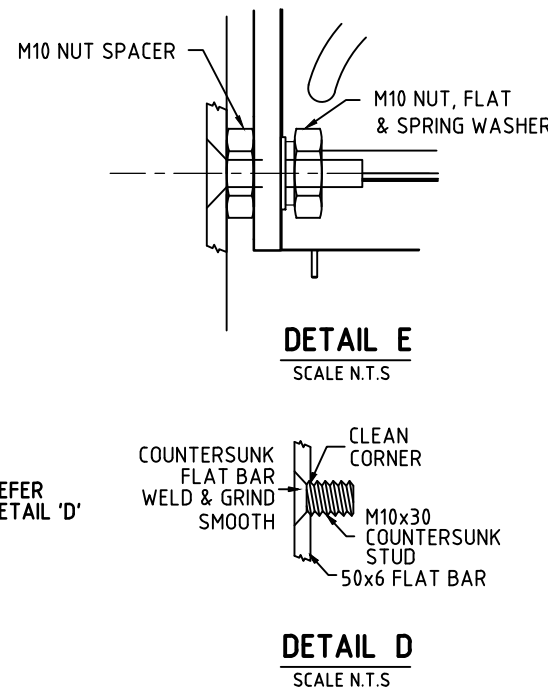
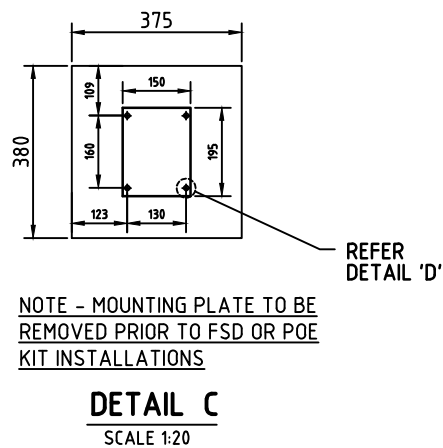
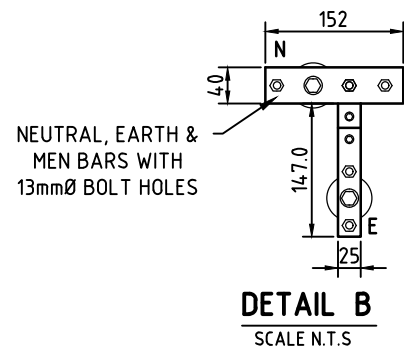
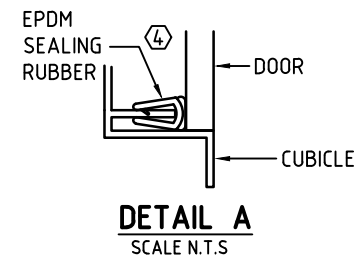
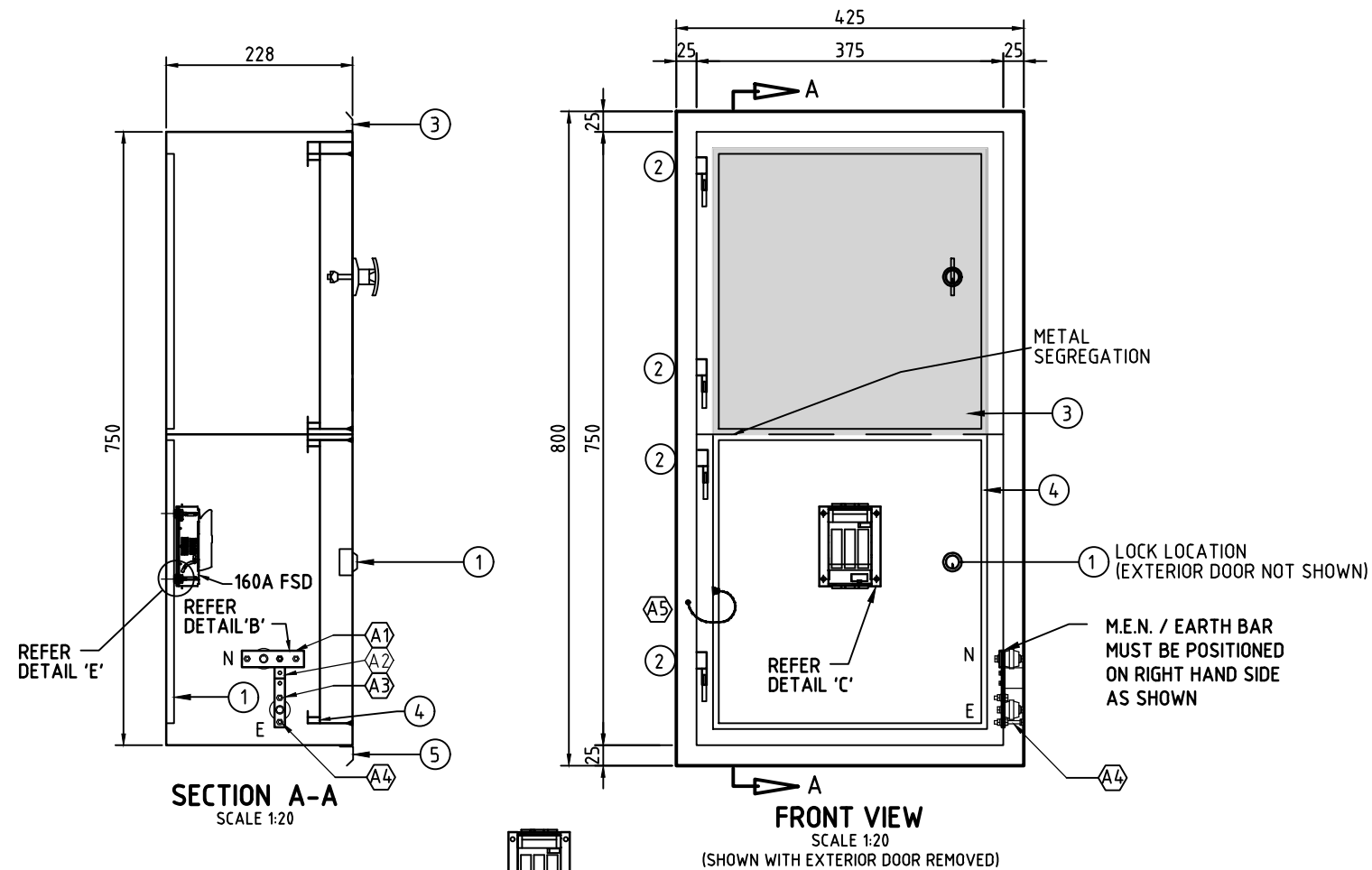


UP TO 160A POINT OF ENTRY SERVICE CUBICLE (POE)



ENCLOSURE CONSTRUCTION NOTES

- a. 1.5mm ZINC ANNEAL METAL CONSTRUCTION FOR BODY & EXTERNAL DOOR.
- b. ALL WELDED JOINTS & CORNERS SANDED & FINISHED TO FORM A FLAT SURFACE.
- c. EXTERNAL DOOR IS HINGED WITH CHROME PLATED PIN HINGES OPENING 180°.
- d. EXTERNAL DOOR IS LOCKED USING LOCKWOOD 213CP DEADBOLT.
- e. COMPONENTS REQUIRING IDENTIFICATION SHALL BE LABELED WITH PVC ENGRAVED LABELS OF WHITE MATERIAL WITH BLACK LETTERING. INTERNAL LABELS SECURED WITH DOUBLE SIDED TAPE. EXTERNAL LABELS SECURED WITH U DRIVE PINS.
- f. POWDER COAT INTERNAL AND EXTERNAL SURFACES TO AS/NZS 4506 REQUIREMENTS FOR CATEGORY C - 'MILD EXTERIOR' ATMOSPHERIC ENVIRONMENT.
- g. EVOENERGY PREFERRED COLOR FINISH FOR EXTERNAL SURFACES IS STORM GREY N42 TO AS2700.
- h. FORM OF SEGREGATION : FORM 1
- i. DEGREE OF PROTECTION : IP56, DUSTPROOF CONSTRUCTION ACHIEVED USING TOP MOUNT PROFILE EPDM PINCH WELD.

EQUIPMENT LIST

- (A) EVOENERGY SERVICE EQUIPMENT**
- (A1) 1 - 25 x 6.3mm Cu TINNED BUSBAR SERVICE NEUTRAL LINK
 - (A2) 1 - 25 x 6.3mm Cu TINNED BUSBAR MEN LINK
 - (A3) 1 - 25 x 6.3mm Cu TINNED BUSBAR MAIN EARTH LINK
 - (A4) CUBICLE EARTH STUD - M10 STUD FULLY WELDED TO SWITCHBOARD WALL AS PER DETAIL "D".
 - (A5) EARTH STRAP - 70mm² FLEXIBLE STRANDED GREEN/YELLOW CABLE TO AS/NZS 5000.1 CONNECTED BETWEEN M10 STUDS FULLY WELDED TO SWITCHBOARD WALL & DOOR AS PER DETAIL "D".

SWITCHBOARD COMPONENTS

- (1) LOCKWOOD 213CP DEADBOLT C/W: 34669 KEYED BARREL
- (2) CHROME PLATED PIN HINGE
- (3) WEATHERPROOF OVERHANG
- (4) EPDM SEALING RUBBER
- (5) ADJUSTABLE REMOVABLE FLANGE WITH 6mm RETURN EDGE

CUSTOMER AREA (METERING EQUIPMENT AND DISTRIBUTION BOARD)

FAULT LEVEL	ALL FOLLOWING MINIMUM FAULT LEVELS SHALL BE IN ACCORDANCE WITH EVOENERGY SERVICE AND INSTALLATION RULES (P007173). 1. MULTI-RESIDENTIAL (MIN FOUR UNITS), COMMERCIAL OR INDUSTRIAL = 30kA
-------------	--

CUBICLE EARTH	REFER TO DOCUMENT P007174 'EVOENERGY POINT OF ENTRY CUBICLE - APPENDIX A' FOR POE MAIN EARTH CABLE SIZING. FOR NETWORK CABLE SIZES BELOW 240mm ² POE MAIN EARTH CABLE SHALL NOT BE LESS THAN 70mm ² COPPER.
---------------	---

NOTES

1. THIS DRAWING MUST BE READ IN CONJUNCTION WITH P007174 - LOW VOLTAGE POINT OF ENTRY CUBICLE REQUIREMENT, INCLUDING EARTHING REQUIREMENTS.
 2. ALL DIMENSIONS ARE IN MILLIMETERS.
 3. CUBICLE MUST HAVE PRE-DRILLED MOUNTING PLATE FOR INSTALLATION OF FSD BY EVOENERGY.
 4. DIMENSIONS AND PART SIZES (BOLTS, STUDS, BUSBAR) ARE TYPICAL VALUES. MANUFACTURER TO DETERMINE DIMENSIONS AND PART SIZES EXCLUDING THOSE NOMINATED AS 'FIXED' TO ACHIEVE COMPLIANCE TO AS/NZS 61439.5 SAFETY AND PERFORMANCE REQUIREMENTS.
 5. DIMENSIONS NOMINATED AS 'FIXED' ARE EVOENERGY PREFERRED VALUES. CHANGES TO THESE VALUES REQUIRE EVOENERGY APPROVAL PRIOR TO CONSTRUCTION.
 6. FINAL ARRANGEMENT AND DIMENSIONS OF CUBICLE SHALL SUIT SPECIFIC PROJECT REQUIREMENTS AND BE APPROVED BY THE RESPONSIBLE EVOENERGY PROJECT OFFICER.
 7. ALL EXTERNAL ASSOCIATED CABLING TO CUBICLE (FREE STANDING OR FORMING PART OF A MSB/POE COMBINATION) SHALL BE BOTTOM ENTRY ONLY. ALL NON-ASSOCIATED CABLES, MUST NOT BE INSTALLED IN THE CUBICLE (FREE STANDING OR FORMING PART OF A MSB/POE COMBINATION).
- CUSTOMER AREA (METERING EQUIPMENT & DISTRIBUTION BOARD)

F	UPDATED FOR POWER OF CHOICE REFORMS	2/11/2017	C. Desai	W. Ibrahim	Drawn:	Designed:	 NON DOMESTIC - SMALL INSTALLATIONS POE/METER BOX FOR INSTALLATION WITH UNDERGROUND SERVICE CABLES UP TO 35mm ² Cu	Scale:	Date:	Sheet No:
G	LOGO AND REFERENCES UPDATED TO EVOENERGY	8/01/2018	C. Desai	W. Ibrahim	Checked:	A-NNR		Work Pack No:	File:	
H	NETWORK & CUSTOMER AREA SEPARATED	7/07/2020	N. Azizi	W. Cleland	Approved:	A-NNR		Status:	Current	
I	FSD MOUNTING, M.E.N EARTH BAR REVISED	10/08/2023	N. Azizi	W. Cleland	Project No:			A3	8911-313	Rev
No	Revision	Date	Checked	Approved						I

The information contained within this drawing & associated electronic file shall remain the property of Evoenergy and shall not be copied or used for any other purpose without express written permission from Evoenergy. © Evoenergy. 2018.

ACT Cadastral information supplied by the ACT Environment & Sustainable Development Directorate. © ACT Gov. 2018.