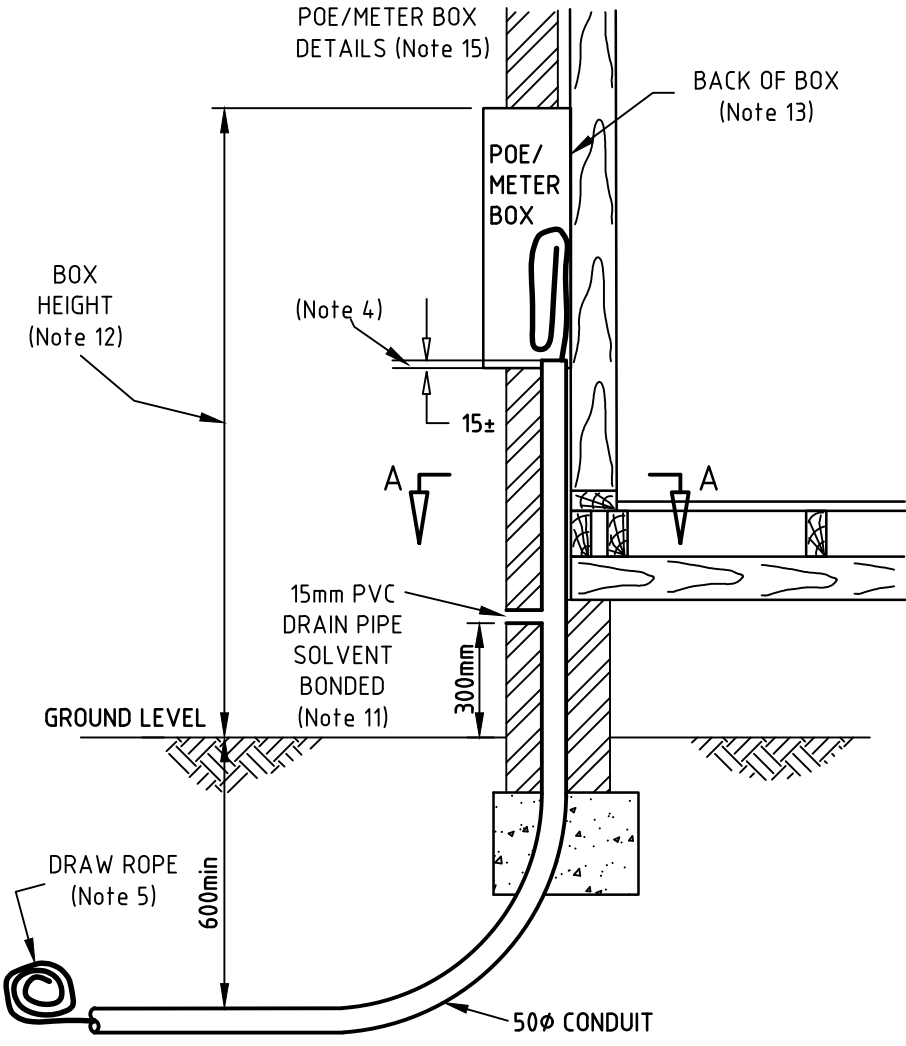
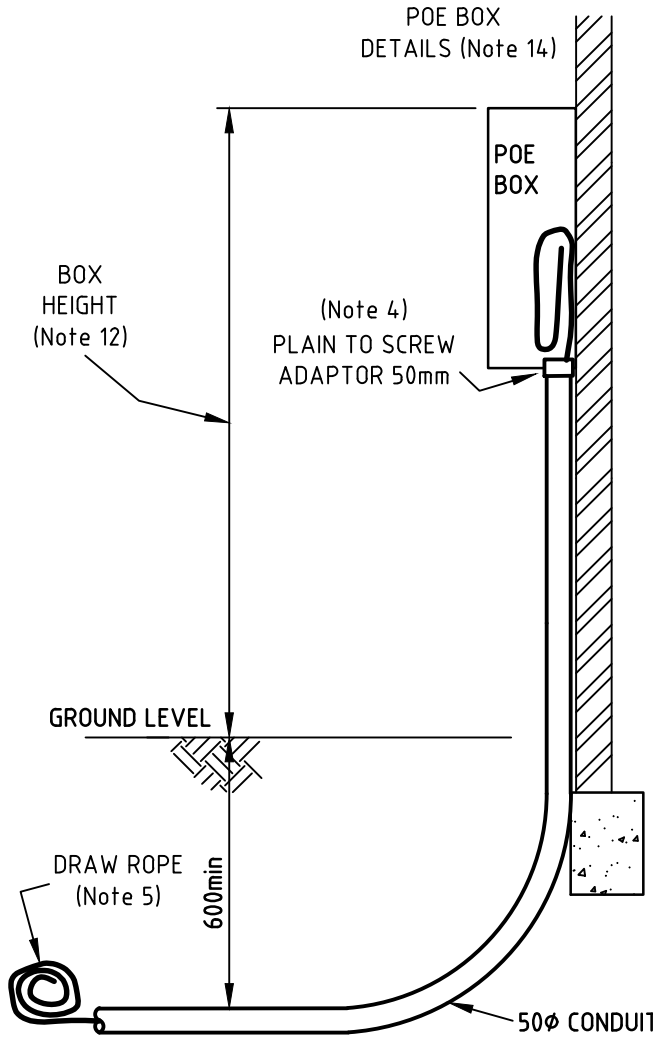
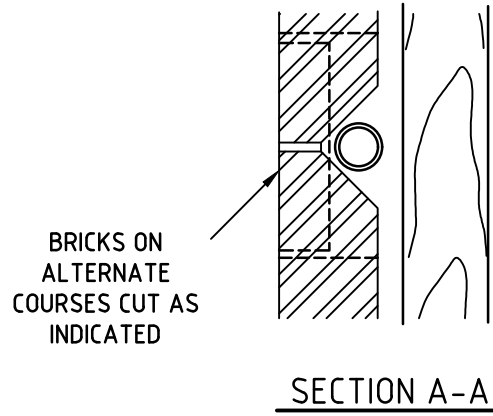


A
B
C
D
E
F

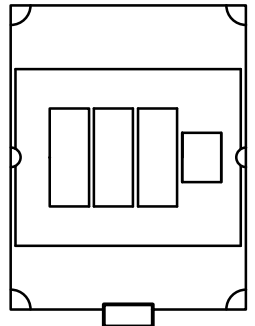
A
B
C
D
E
F



RECESSED INSTALLATION OPTION
(PREFERRED OPTION FOR NEW INSTALLATIONS)



WALL MOUNT INSTALLATION OPTION
(ALT. OPTION FOR EXISTING INSTALLATIONS/ MODIFICATIONS)



NOTE 14:
JB, IP65
THERMOPLASTIC MATERIAL
310 x 240 x 110 mm
BACK PLATE 180 x 230 x 10mm
STOCK CODE: 1193400

NOTES:

1. ALL POINTS OF ENTRY & CONDUITS ROUTES SHALL BE DETERMINED BY THE SERVICE MARKER OR BE AS SHOWN ON THE APPROVED BUILDING PLAN OR APPROVED CONDUIT REQUEST DRAWING.
2. A MARKER PEG SHALL BE PROVIDED TO INDICATE THE END OF THE CONDUIT.
3. CONDUIT ENDS SHALL BE PLUGGED OR CAPPED TO PREVENT THE ENTRY OF FOREIGN MATERIAL.
4. THE CONDUIT SHALL ENTER THE POE/METER BOX AS PER THIS DRAWING.
5. A CONTINUOUS DRAW ROPE OF MINIMUM 6mm DIAMETER WITH 600mm SPARE AT EACH END SHALL BE PROVIDED IN EACH CONDUIT.
6. THE CONDUIT SHALL NOT CONTAIN ELBOWS AND BENDS SHALL HAVE A MINIMUM BENDING RADIUS OF 450mm.
7. THE SUM OF CONDUIT BEND ANGLES SHALL NOT EXCEED 90° IN A SINGLE RUN.
8. THE POE/METER BOX SHALL HAVE SUFFICIENT SPACE FOR THREE SERVICES FUSES(100A) AND A SERVICE NEUTRAL LINK (2x16mm² - 1x35mm²).
9. THE CONDUIT AND POE/METER BOX SHALL BE ISOLATED FROM THE TIMBER FRAME WITH DAMP-PROOF MATERIAL.
10. THE CONDUIT SHALL BE 50mm ϕ AND SHALL BE CATEGORY "A" HEAVY DUTY RIGID ORANGE CONDUIT TO AS2053. WHERE EXPOSED TO SUN, CONDUIT COVER TO BE INSTALLED OR UV RATED GRAY CONDUIT TO BE USED.
11. SEE DRAWING 8912-03 AND THE SERVICE AND INSTALLATION RULES FOR DRAINAGE DETAILS WHERE REQUIRED.
12. INSTALLATION HEIGHT FOR:
POE BOX (DOMESTIC INSTALLATION) 2300mm - 2800mm TO TOP OF BOX
METER BOX (DOMESTIC INSTALLATION) 1500mm - 2000mm TO TOP OF BOX
13. ALL CABLE ENTRY/EXIT HOLES MUST BE SEALED WITH SILICON SEALANT OR A SIMILAR SEALANT.
14. WALL MOUNT BOX : REFER DETAILS WITHIN
15. RECESSED MOUNT BOX : REFER TO 8913_22_02
16. INSTALLER TO ENSURE THE POE BOX IS AFFIXED FIRM TO THE WALL, USING BOLTS OR SCREWS

ADDITIONAL REFERENCES:

EVOENERGY SERVICE AND INSTALLATION RULES (P007173)
EVOENERGY CIVIL WORKS MANUAL VOLUME 2 (P00793)

N	LOGO AND REFERENCES UPDATED TO EVOENERGY	8/01/2018	C. Desai	W. Ibrahim	Drawn:	Designed: A-NNR	evoenergy UNDERGROUND SERVICE CONDUIT REQUIREMENTS	Scale:	Date: 16/03/1999	Sheet No:
O	STANDARD NUMBER UPDATED	7/12/2020	N. Azizi	W. Cleland	Checked:			Work Pack No:	File:	
P	REFERENCE DOCUMENT NUMER AMENDED - KV	7/02/2022	N. Azizi	W. Cleland	Approved:	A-NNR		Status:	Current	
Q	UPDATED NOTES & WALL MOUNT OPTION (MS)	19/07/2022	N. Azizi	W. Cleland	Project No:					
No	Revision	Date	Checked	Approved						
The information contained within this drawing & associated electronic file shall remain the property of Evoenergy and shall not be copied or used for any other purpose without express written permission from Evoenergy. © Evoenergy. 2017.					ACT Cadastral information supplied by the ACT Environment & Sustainable Development Directorate. © ACT Gov. 2017.			A3	8912-02	Rev Q