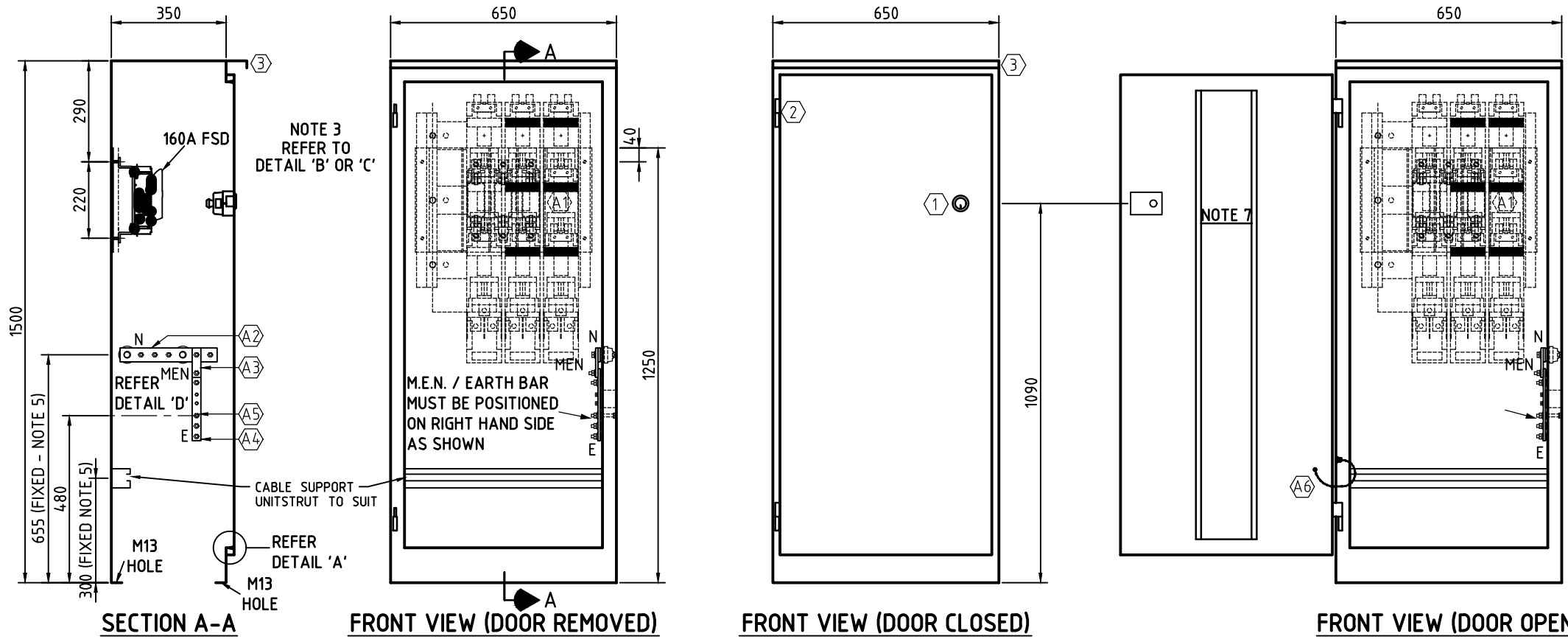


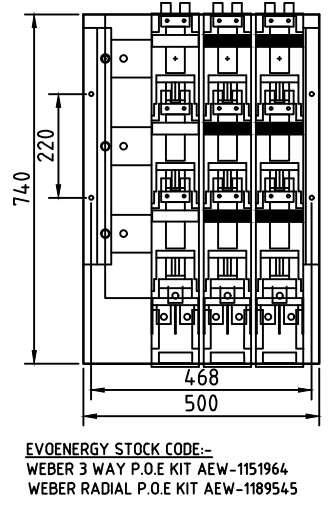
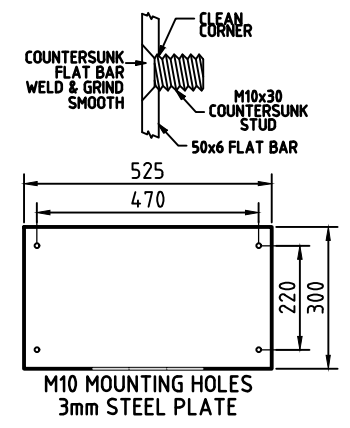
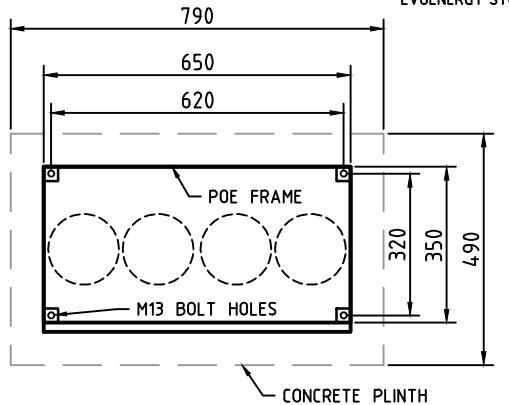
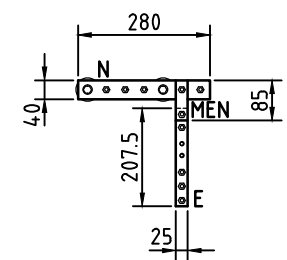
UP TO 630A POINT OF ENTRY SERVICE CUBICLE (POE)



- ENCLOSURE CONSTRUCTION NOTES**
- 1.5mm ZINC ANNEAL METAL CONSTRUCTION FOR BODY & EXTERNAL DOOR.
  - ALL WELDED JOINTS & CORNERS SANDED & FINISHED TO FORM A FLAT SURFACE.
  - EXTERNAL DOOR IS HINGED WITH CHROME PLATED PIN HINGES OPENING 180°.
  - EXTERNAL DOOR IS LOCKED USING LOCKWOOD 213CP DEADBOLT.
  - COMPONENTS REQUIRING IDENTIFICATION SHALL BE LABELLED WITH PVC ENGRAVED LABELS OF WHITE MATERIAL WITH BLACK LETTERING. INTERNAL LABELS SECURED WITH DOUBLE SIDED TAPE. EXTERNAL LABELS SECURED WITH U DRIVE PINS.
  - POWDER COAT INTERNAL AND EXTERNAL SURFACES TO AS/NZS 4506 REQUIREMENTS FOR CATEGORY C - 'MILD EXTERIOR' ATMOSPHERIC ENVIRONMENT.
  - EVOENERGY PREFERRED COLOUR FINISH FOR EXTERNAL SURFACES IS STORM GREY N42 TO AS2700.
  - FORM OF SEGREGATION : FORM 1
  - DEGREE OF PROTECTION : IP56, DUSTPROOF CONSTRUCTION ACHIEVED USING TOP MOUNT PROFILE EPDM PINCH WELD.

- EQUIPMENT LIST**
- (A) EVOENERGY SERVICE EQUIPMENT
  - (A1) PROVISION FOR FEEDER CONNECTION EQUIPMENT. EVOENERGY TO ADVISE AT TIME OF SWITCHBOARD APPROVAL ON TYPE OF EQUIPMENT TO BE INSTALLED (SEE NOTE 3))
  - (A2) 1 - 40 x 6.3mm Cu TINNED BUSBAR SERVICE NEUTRAL LINK
  - (A3) 1 - 25 x 6.3mm Cu TINNED BUSBAR MEN LINK
  - (A4) 1 - 25 x 6.3mm Cu TINNED BUSBAR MAIN EARTH LINK
  - (A5) CUBICLE EARTH STUD - M10 STUD FULLY WELDED TO SWITCHBOARD WALL
  - (A6) EARTH STRAP - 70mm<sup>2</sup> FLEXIBLE STRANDED GREEN/YELLOW CABLE TO AS/NZS 5000.1 CONNECTED BETWEEN M10 STUDS FULLY WELDED TO SWITCHBOARD WALL & DOOR

- SWITCHBOARD COMPONENTS**
- (1) LOCKWOOD 213CP DEADBOLT C/W: 34669 KEYED BARREL
  - (2) CHROME PLATED PIN HINGE
  - (3) WEATHERPROOF OVERHANG
  - (4) EPDM SEALING RUBBER



- FAULT LEVEL**
- ALL FOLLOWING MINIMUM FAULT LEVELS SHALL BE IN ACCORDANCE WITH EVOENERGY SERVICE AND INSTALLATION RULES (P007173).
- SUBURBAN RESIDENTIAL SINGLE PHASE = 6kA
  - SUBURBAN RESIDENTIAL THREE PHASE = 10kA
  - MULTI-RESIDENTIAL (MIN FOUR UNITS), COMMERCIAL OR INDUSTRIAL = 30kA

- CUBICLE EARTH**
- REFER TO DOCUMENT P007174 'EVOENERGY POINT OF ENTRY CUBICLE - APPENDIX A' FOR POE MAIN EARTH CABLE SIZING. FOR NETWORK CABLE SIZES BELOW 240mm<sup>2</sup> POE MAIN EARTH CABLE SHALL NOT BE LESS THAN 70mm<sup>2</sup> COPPER.

- NOTES**
- THIS DRAWING MUST BE READ IN CONJUNCTION WITH P007174 -LOW VOLTAGE POINT OF ENTRY CUBICLE REQUIREMENT.
  - ALL DIMENSIONS ARE IN MILLIMETERS.
  - CUBICLE MUST HAVE PRE-DRILLED HOLEC MOUNTING PLATE FOR INSTALLATION OF HOLEC OR WEBER FUSEWAYS BY EVOENERGY. WEBER DISCONNECTOR MUST BE USED FOR CONSUMER MAINS CABLES >120mm<sup>2</sup>.
  - DIMENSIONS AND PART SIZES (BOLTS, STUDS, BUSBARS) ARE TYPICAL VALUES. MANUFACTURER TO DETERMINE DIMENSIONS AND PART SIZES EXCLUDING THOSE NOMINATED AS 'FIXED' TO ACHIEVE COMPLIANCE TO AS/NZS 61439.5 SAFETY AND PERFORMANCE REQUIREMENTS.
  - DIMENSIONS NOMINATED AS 'FIXED' ARE EVOENERGY PREFERRED VALUES. CHANGES TO THESE VALUES REQUIRE EVOENERGY APPROVAL PRIOR TO CONSTRUCTION.
  - FINAL ARRANGEMENT AND DIMENSIONS OF CUBICLE SHALL SUIT SPECIFIC PROJECT REQUIREMENTS AND BE APPROVED BY THE RESPONSIBLE EVOENERGY PROJECT OFFICER.
  - EXTERNAL DOOR MUST HAVE WELDED METAL STRENGTHENING SUPPORT.
  - ALL EXTERNAL ASSOCIATED CABLING TO CUBICLE (FREE STANDING OR FORMING PART OF A MSB/POE COMBINATION) SHALL BE BOTTOM ENTRY ONLY. ALL NON-ASSOCIATED CABLES, MUST NOT BE INSTALLED IN THE CUBICLE (FREE STANDING OR FORMING PART OF A MSB/POE COMBINATION).

I	DETAILS ADDED FOR HOLEC AND WEBER KIT	6/07/2020	N. Azizi	W. Cleland	Drawn: T. Day	Designed: T. Day
J	NOTES AND DWG TITLE AMENDED - KV	2/08/2021	N. Azizi	W. Cleland	Checked:	
K	EARTHSTRAP "A6" LOCATION AMENDED FROM TOP TO BOTTOM - KV	15/12/2021	N. Azizi	W. Cleland	Approved: F. Argue	
L	HOLEC FUSES REPLACED WITH 160A & 630A FSDs - KV	30/09/2022	N. Azizi	W. Cleland	Project No:	
No	Revision	Date	Checked	Approved		

**evoenergy**

POINT OF ENTRY SERVICE CUBICLE (POE)  
UP TO 630A  
FREE STANDING OR WALL MOUNTED  
WITH MODULAR FEEDER UNITS

Scale: As Shown	Date: 12/12/2018	Sheet No: 1 of 1
Work Pack No:	File: N/A	
Status: <b>Current</b>		
<b>A3</b>	<b>8913-213-06</b>	Rev L

The information contained within this drawing & associated electronic file shall remain the property of Evoenergy and shall not be copied or used for any other purpose without express written permission from Evoenergy. © Evoenergy. 2018.

ACT Cadastral information supplied by the ACT Environment & Sustainable Development Directorate. © ACT Gov. 2018.