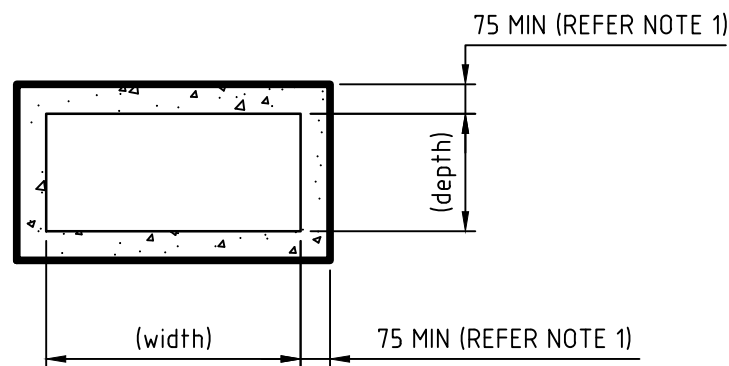


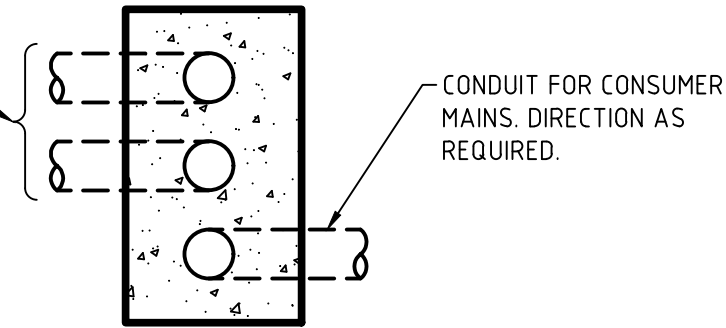
NOTES

1. CONCRETE PLINTH SIZED TO SUIT POE CUBICLE. MAINTAIN A MINIMUM OF 75mm OFFSET AROUND PERIMETER OF CUBICLE AND 75mm ABOVE FINISHED GROUND LEVEL AS SHOWN.
2. CONCRETE PLINTH MINIMUM 300mm THICK TO BE Poured ON FIRM COMPACT BASE.
3. CONCRETE SPECIFICATION TO BE A MINIMUM 20MPa.
4. CHAMFER TOP EDGE PERIMETER OF PLINTH AS SHOWN IN DETAIL 'A' TO RESIST CHIPPING.
5. PLINTH TO BE Poured AT LEAST 7 DAYS PRIOR TO COMMENCEMENT OF EVOENERGY INSTALLATION.
6. NUMBER OF EVOENERGY CONDUITS (2 or 3) AS SPECIFIED.
7. PLINTH DIMENSIONS SHOULD BE ADJUSTED TO MATCH THE SPECIFIED POE CUBICLE SIZE

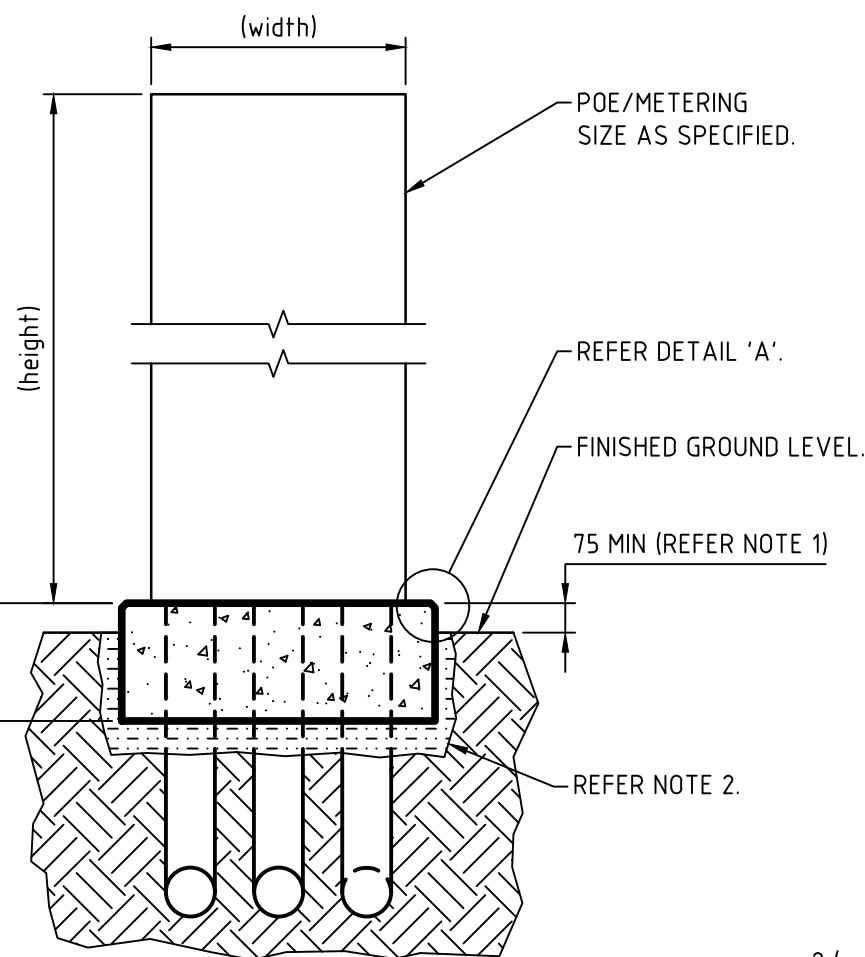


TOP VIEW

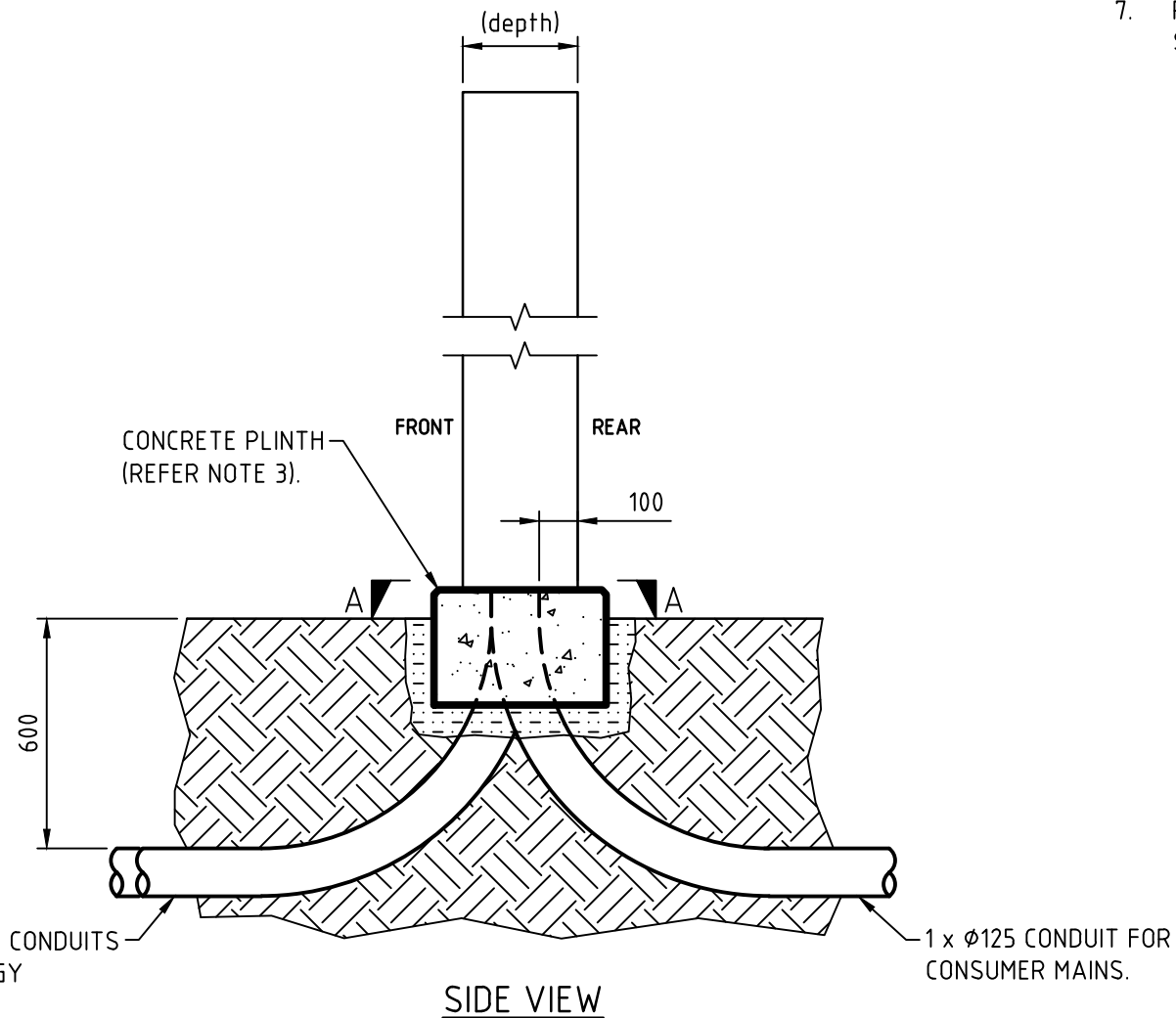
2 (or 3) x $\phi 125$ CONDUITS AS REQUIRED FOR EVOENERGY CABLES. CONDUITS EQUALLY SPACED TO SUIT CUBICLE WIDTH (REFER NOTE 6).



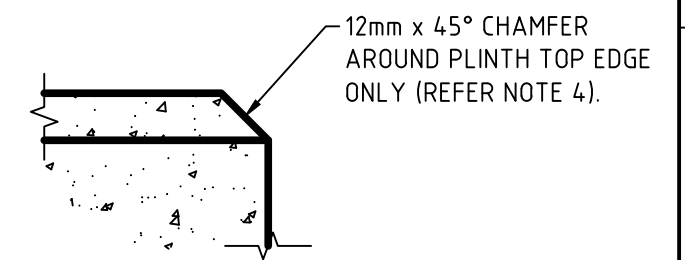
SECTION AA



FRONT VIEW



SIDE VIEW



DETAIL 'A'
(N.T.S.)

				Drawn: C. Dickson	Designed: A. Jain	evoenergy CONCRETE PLINTH DETAILS FOR POINT OF ENTRY CUBICLE	Scale:	Date: 25/09/2012	Sheet No: 1 of 1
				Checked: B. Suthar	21/01/2013		Work Pack No:	File:	
				Approved: W. Cleland	22/01/2013		Status:	Current	
				Project No:			A3	8913-22-04	Rev B
The information contained within this drawing & associated electronic file shall remain the property of Evoenergy and shall not be copied or used for any other purpose without express written permission from Evoenergy. © Evoenergy. 2017.						ACT Cadastral information supplied by the ACT Environment & Sustainable Development Directorate. © ACT Gov. 2017.			